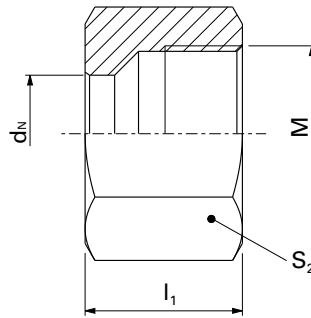


Union nut

M ...

M ... -1.4571

• Union nut



D

									Union nut Stainless steel (1.4571) M ... -1.4571*
									Union nut M ...
Series	PN bar (psi)	Tube outer diameter d _N	Model	kg/ 100 pc.	M	I ₁	S ₂	Art. no.	Art. no.
LL	100 (1450)	4	M 4 LL	0.4	M 8 x 1	11	10	WAL039838	WAL027923
		6	M 6 LL	0.5	M 10 x 1	11.5	12	WAL039840	WAL027925
		8	M 8 LL	0.7	M 12 x 1	12	14	WAL039841	WAL027926
L	500 (7252)	6	M 6 L	0.9	M 12 x 1.5	14.5	14	WAL039842	WAL027927
		8	M 8 L	1.4	M 14 x 1.5	14.5	17	WAL039843	WAL027928
		10	M 10 L	2.0	M 16 x 1.5	15.5	19	WAL039844	WAL027929
	400 (5801)	12	M 12 L	2.5	M 18 x 1.5	15.5	22	WAL039845	WAL027930
		15	M 15 L	4.0	M 22 x 1.5	17	27	WAL039846	WAL027931
		18	M 18 L	6.0	M 26 x 1.5	18	32	WAL039847	WAL027932
		22	M 22 L	8.0	M 30 x 2	20	36	WAL039848	WAL027933
250 (3626)	28	M 28 L	8.5	M 36 x 2	21	41	WAL039849	WAL027934	
	35	M 35 L	13.0	M 45 x 2	24	50	WAL039850	WAL027935	
S	800 (11603)	42	M 42 L	21.0	M 52 x 2	24	60	WAL039851	WAL027936
		6	M 6 S	1.5	M 14 x 1.5	16.5	17	WAL039852	WAL028649
		8	M 8 S	1.7	M 16 x 1.5	16.5	19	WAL039853	WAL027937
	630 (9137)	10	M 10 S	3.0	M 18 x 1.5	17.5	22	WAL039854	WAL027938
		12	M 12 S	3.5	M 20 x 1.5	17.5	24	WAL039855	WAL027939
		14	M 14 S	5.0	M 22 x 1.5	20.5	27	WAL039856	WAL027940
		16	M 16 S	6.0	M 24 x 1.5	20.5	30	WAL039857	WAL027941
	420 (6091)	20	M 20 S	9.5	M 30 x 2	24	36	WAL039858	WAL027942
		25	M 25 S	19.5	M 36 x 2	27	46	WAL039859	WAL027943
		30	M 30 S	21.5	M 42 x 2	29	50	WAL039860	WAL027944
		38	M 38 S	31.0	M 52 x 2	32.5	60	WAL039861	WAL027945

⚠ Caution: The pressure specifications refer to the steel version. For the stainless steel version (1.4571), please refer to the pressure specifications on page B5.

*Silver-plated stainless steel nut (AG/AGP), see price list